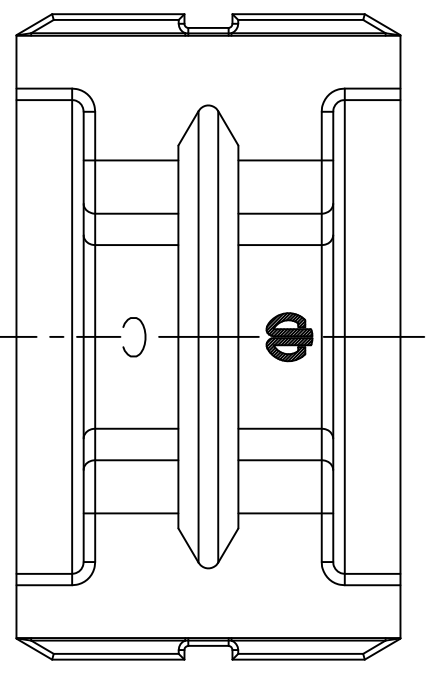
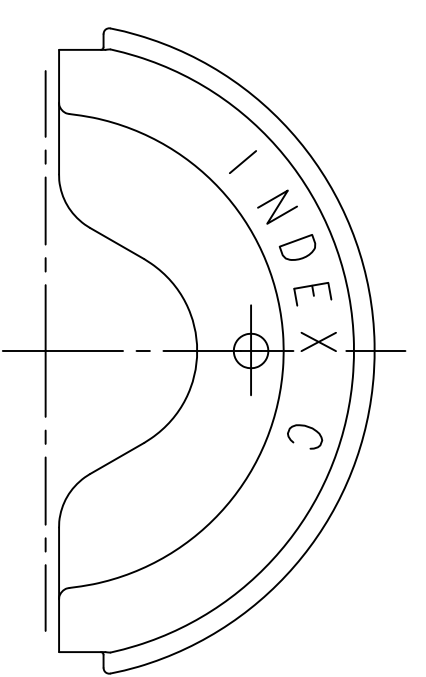
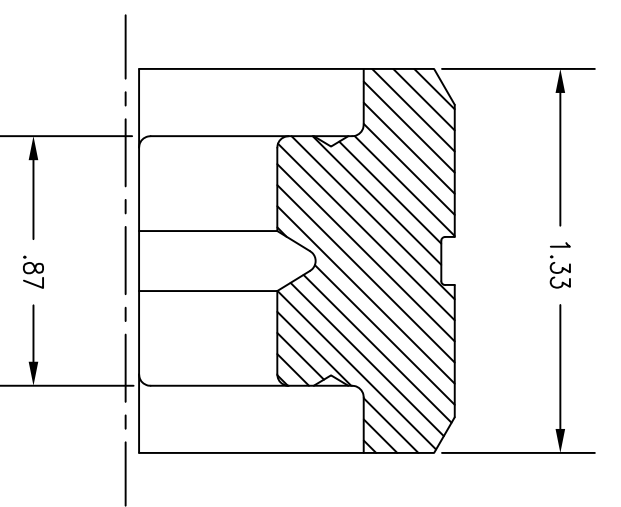
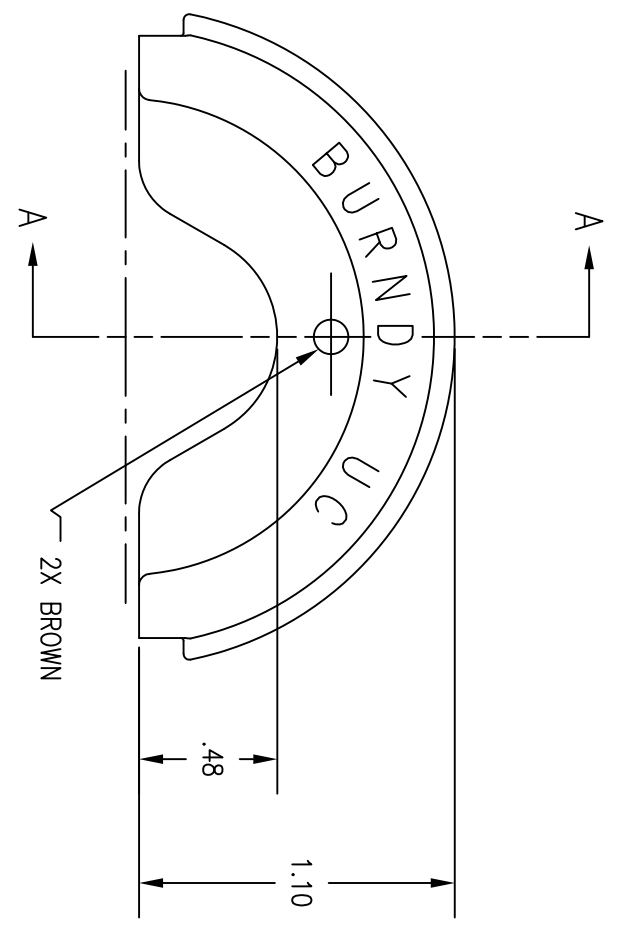


ITEM NO.	DESCRIPTION	QTY.
1	C INDEX DIE SET	1

CATALOG NUMBER	DESCRIPTION
HUC	C INDEX DIE SET



- NOTES:
1. DIMENSIONS IN [ ] BRACKETS ARE IN MILLIMETERS, ROUNDED OFF TO THE NEAREST MILLIMETER, UNLESS OTHERWISE NOTED. METRIC DIMENSIONS ARE FOR REFERENCE ONLY.
  2. MATERIAL: STAINLESS STEEL
  3. SPECIFICATIONS SUBJECT TO CHANGE WITHOUT NOTICE.

REV.	ECN	DATE	INITIAL RELEASE	DESCRIPTION	CHG BY	APPD BY
1	19414	03/04/14			MMA	

Created on AUTOCAD

**DIMENSIONING AND TOLERANCE PER**  
ANSI Y14.5M-1982  
UNLESS OTHERWISE SPECIFIED,  
DIMENSIONS ARE IN INCHES (MM).  
TOLERANCES  
.XX = ±.01 (.25)  
.XXX = ±.005 (.127)  
.XXXX = ±.0025 (.0635)  
ANGLE TOL ±1°

**PROJECT REFERENCE:**  
012-14

**MATERIAL:**  
SEE NOTES

**DRAWN BY:**  
MABBY 03/04/14

**CHECKED BY:**

**APPROVED BY:**

**HUBBELL**  
Hubbell Premise Wiring  
HUBBELL INCORPORATED (Delaware)  
23 CLARA DRIVE, SUITE 103 MYSTIC, CT 06355

**TITLE:**  
DIE SET, C INDEX  
U DIE SET FAMILY

**SIZE:** C **DRAWING NO.:** HWS14404C **REV.:** 1

**SCALE:** N/A **SHEET:** 1 OF 1